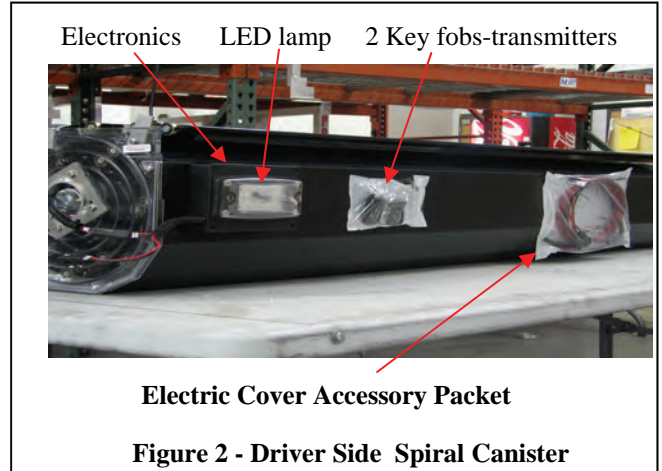
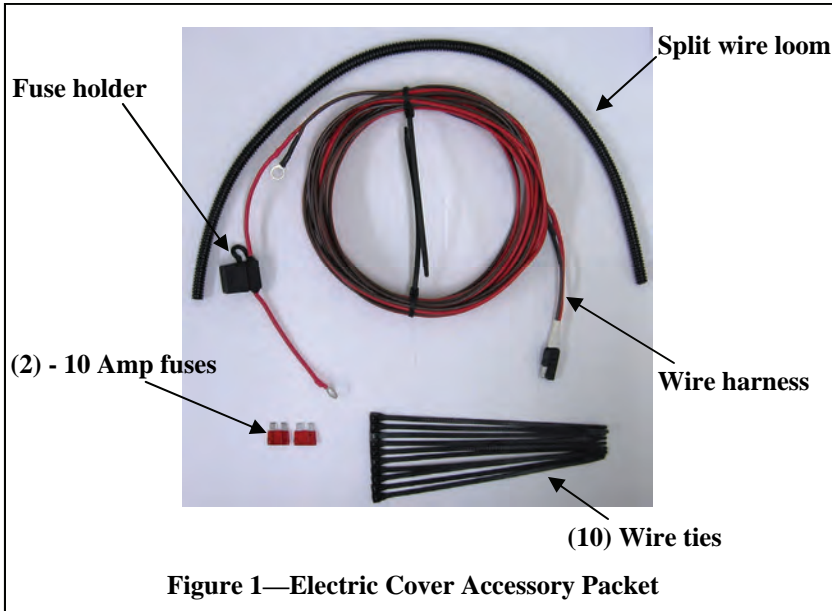


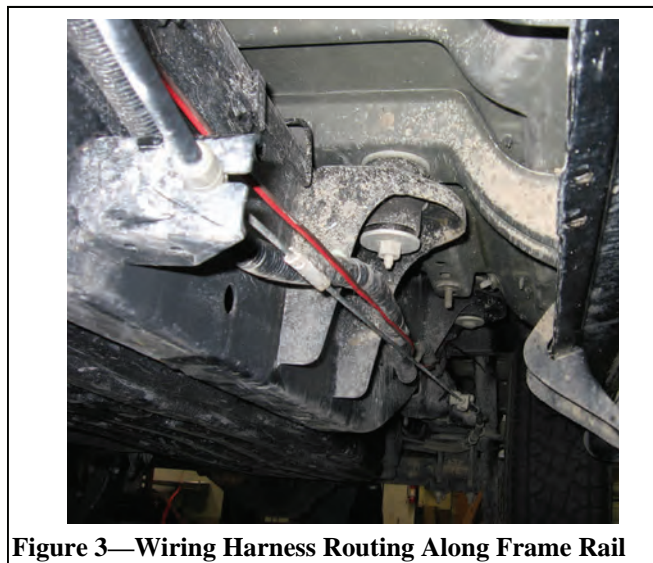
## IMPORTANT: Follow these instructions BEFORE installing the Retrax cover

*Note: Use caution when cutting the wire ties holding the wire harness together so you do not cut wires. Inspect wiring. Do not install damaged wires as they could become a hazard.*



### Routing wiring harness from battery to truck bed.

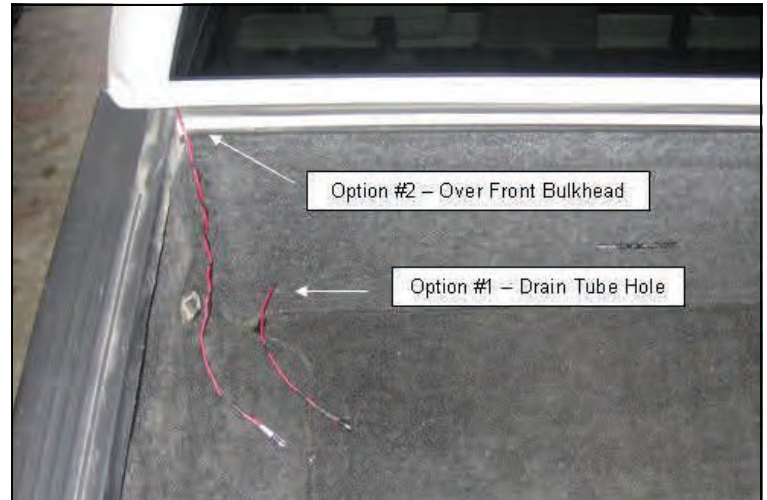
1. Using a Wire tie, secure the fuse holder end of the wire harness near the battery (red wire and brown wire)  
*Note: Do not connect the wiring harness to your battery*
2. Route the wire harness to the driver side of the truck if it is not already. (Using wire ties, secure the wiring harness so it does not come into contact with moving parts.)
3. Route the wiring harness down along the frame rails to the truck box as shown in **Figure 3**. Keep the wires as high as possible to prevent damage while driving. Secure the wiring harness with wire ties every 2-3 feet.



4. Two options for routing the wire harness into the truck box are shown below in **Figure 4**.

**OPTION 1:** Through drain tube holes (Step 12 of the Retrax Installation Instructions). Push 24" of wire through the holes. Use split wire loom to wrap around the wires as a barrier between the wires and the drain tube hole. (NOTE: this may require a larger hole than normal to allow for wires.)

**OPTION 2:** Route the wiring in the gap between the cab and truck bed (leave about 24" in truck bed). The wires will be hidden under the front weather-stripping of the Retrax cover.



**Figure 4—Wiring options in Bed of Truck**

### Installing the POWERTRAX on the truck

Proceed with the RETRAX Assembly and Installation Instructions Steps 1-10

*NOTE: Disregard all references to "Lock." Not applicable for POWERTRAX.*

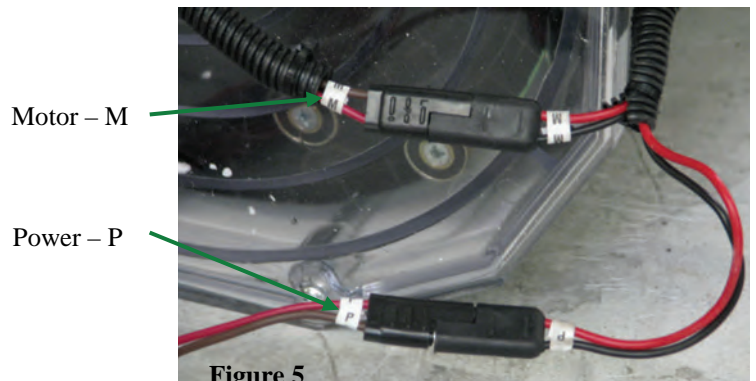
### Connect the wiring harness to electronics box and battery

A. There is a white label wrapped with the letter "P" on it to ensure proper connections are made (**Figures 5**). Ensure the connectors labeled P are securely connected. (Connectors labeled "M" will come attached.)

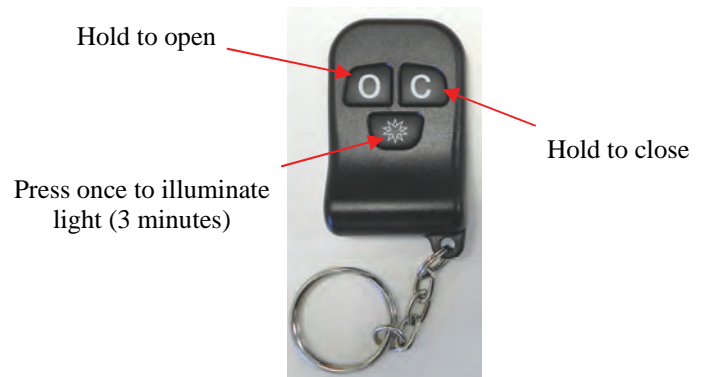
B. Connect the wires to the battery and install a fuse in the fuse holder. The **RED** wire (with the fuse holder) to the **POSITIVE** post, and the **BROWN** wire will connect to the **NEGATIVE** post.

C. Continue with Step #11 of the RETRAX Installation Instructions.

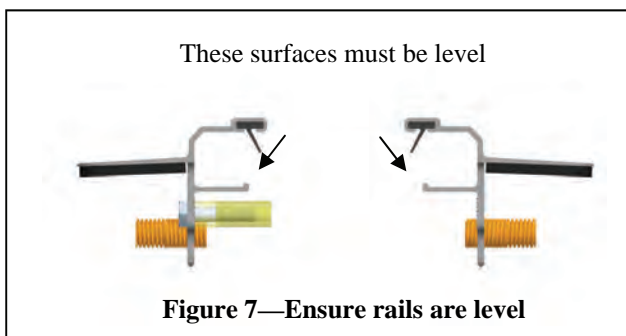
*Note: For proper cover operation, ensure rails are positioned correctly (see Fig. 7 below).*



**Figure 5**



**Figure 6 — Operation of the POWERTRAX**



**Figure 7—Ensure rails are level**

### Special notes on installing PowerTRAX cover:

The Electric cover has no lock assembly. Cover will not move out of the canister at this point of the installation. On Driver's side hold cover up slightly, insert bearings of rolling cover into the channel of the rail. Line up rail tabs to canister and attach with 2-10x32 screws. Follow the same directions on the passenger side. After connecting the electrical wiring the motor will power up.

# RETRAX ONE™

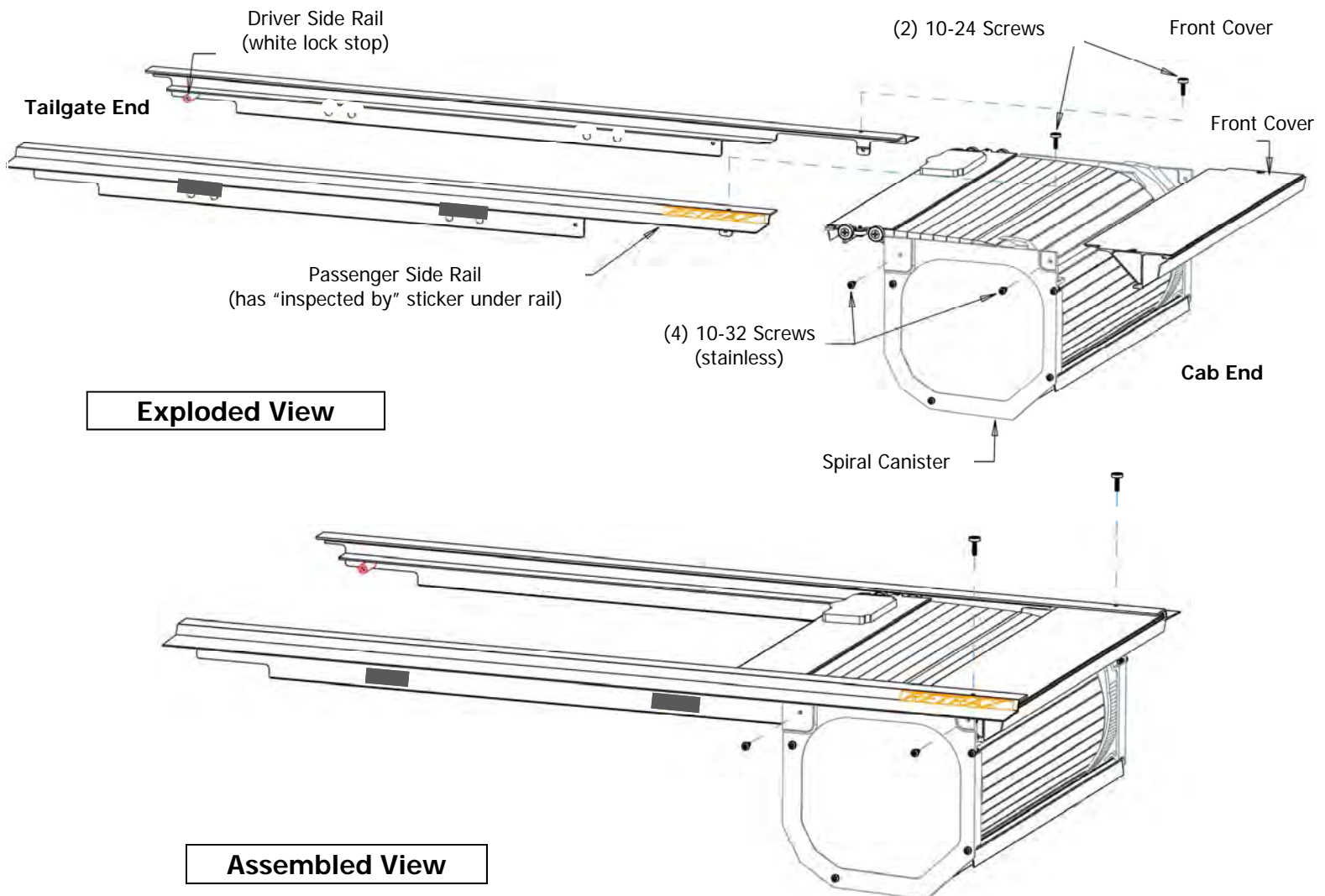
## #1074 Nissan Titan

Installation Instructions (with or without UtiliTrack Option)

### Owner's Manual



**Please Save Instructions:  
Important Warranty and Maintenance  
information enclosed**



Manufactured in the USA by  
**APPLIED PRODUCTS, INC.**  
An Employee Owned Company  
917 South 46th Street  
Grand Forks, ND 58201  
(701) 746-5596 (Fax) 746-5598  
[www.retrax.com](http://www.retrax.com)  
[retrax@retrax.com](mailto:retrax@retrax.com)  
800-206-4070

Scan here to view a brief video  
on how to install a  
RETRAX cover.

Make sure that you have a  
QR Code reader application  
installed on your smartphone.



# RETRAX<sup>ONE</sup>™ ASSEMBLY AND INSTALLATION INSTRUCTIONS

Thank you for your purchase of the **RETRAX™** bed cover system. Please read and follow instructions **Before un-boxing and assembling the bed cover check for shipping damage.**

Keep boxes and packing until installation is complete.

Unpack carefully to prevent scratching. Remove protective films from cover and canister **after** installation is complete.

**REMOVE the protective plastic films before exposing to direct sunlight.**

**DO NOT lubricate RETRAX—See Maintenance page for proper care.**

## Parts checklist for large box

- Owner's packet with keys
- Cover rolled in to canister-spiral assembly
- Front cover for canister
- Drain tube kit

## Parts checklist for rail box

- Driver's side rail
- Passenger side rail
- Clamp box including (Fig #1)
- (2) 1/4-20 well nuts /w end removed,
- (2) 1/4-20 Nylock Nuts
- (2) 1/4-20x2" Allen Bolts
- (2) 1/4-20x1.5" Allen Bolts
- (4) G-16 Clamps
- (4) keyhole Rubber Spacers
- (4) 3" Rubber Spacers
- (2) 10-24x3/4" Screws
- 1/8" measuring tool
- Allen wrench

## Tools Needed

- 2#Philips Screwdriver
- 7/16" wrench
- 9/16" wrench
- Drill with 1/4" bit
- 3/16" Allen Wrench

**DO NOT USE LOCTITE!  
USE OF LOCTITE VOIDS  
WARRANTY**



Fig. 1

The Titan comes **with or without** the Utili-Track rail system.

If the Titan **does not** have the Utili-track rails, then the mounting hardware used is shown in Fig. 1.

If the Titan **does** have the Utili-track rails, then the mounting hardware used is shown in Fig. 2.



Fig. 2

**For Titans with Utili-track system there is two ways to attach the rear of the rails to the truck:**

1. Drill holes and use bolts. This method will allow rail accessories to slide out the back of the track
2. Use supplied clamps

If you have any questions or concerns please call **800-206-4070** or e-mail [retrax@retrax.com](mailto:retrax@retrax.com)

## Pre-assembly guidelines

Two people are recommended for installation and you should allow 1 to 1 ½ hours to complete. Floor space about the size of pickup box is needed for assembly of the bed cover and rails. Clear out the pickup box and clean the front and side bed rails.

**Plastic bed liners may have to be cut or notched at the front of the bed if they touch the rolling cover or interfere with proper canister location.** A jig saw with medium tooth blade or a Dremmel or Roto-Zip tool works well. **The front lip of the bed liner should be cut off if side bed rail caps are not installed.**

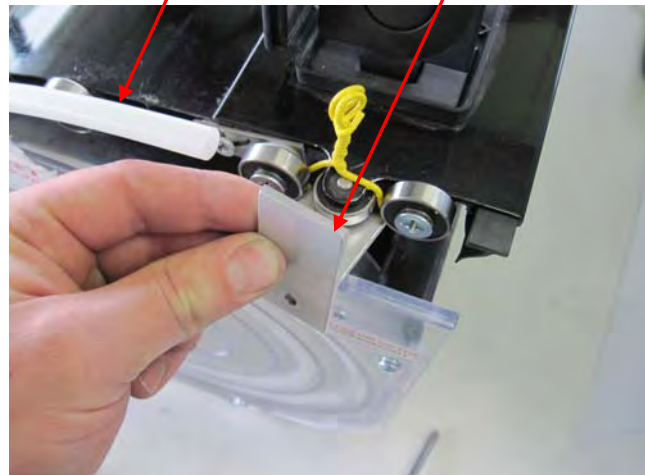
**Drain tubes** (2) 1/2" drain tubes connect to the bottom of canister and can exit out the floor at the front of the pickup bed. There are small drain holes in the front corners of the floor in the Titan. These can be enlarged to 1/2" and used for the drain tubes. For pickups equipped with plastic bed-liners, holes for the drain tubes need to be drilled through the plastic only. We recommend drilling additional holes through the floor of a plastic bed liner at the lowest points in front to allow for water drainage.

## STEP 1 Remove the shipping bracket and yellow wire. Completely remove white shipping tubes.

The shipping brackets can be disassembled simply by removal of the 10-32 screws fastened to each side of the canister (**Remove these items only**). The tailgate can then be lifted away from the canister allowing for the removal of the shipping bracket by sliding the T-channel out from the wire ties. The wire ties can then be removed from the bearings without the need for cutting the wire. Pull white Shipping tubes completely out of the canister.

**DO NOT ALLOW THE COVER TO ROLL INTO THE SPIRAL BECAUSE THE BOTTOM OF THE LOCK CAN DAMAGE THE COVER!**

Shipping tube      Shipping bracket  
**Remove these items only!**



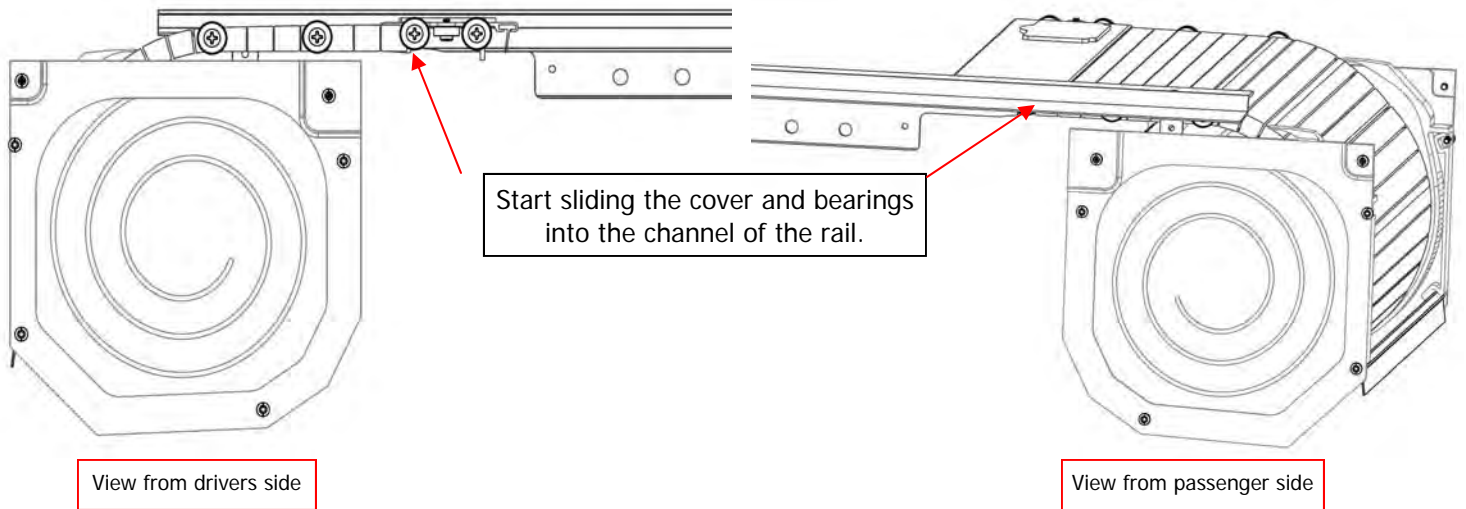
Driver's side view of assembly

# RETRAXONE™ ASSEMBLY AND INSTALLATION INSTRUCTIONS

## STEP 2 Install the passenger rail to the spiral.

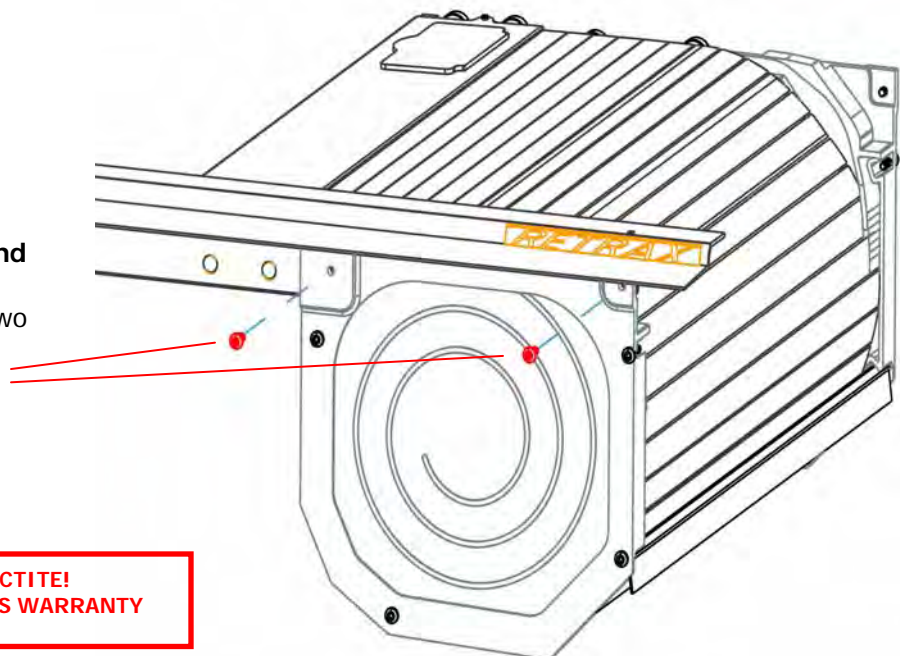
Passenger rail has "inspected by" sticker under the front of the rail

Lift up the lock cover and **open lock** by pressing release button.



Slide the rail over the cover until the two threaded holes in the rail are lined up **behind** the two holes in the spiral. Attach using two of the **10/32 by 7/16" screws**.

**Tighten** using a manual #2 Phillips screwdriver.



**DO NOT USE LOCTITE!**  
**USE OF LOCTITE VOIDS WARRANTY**

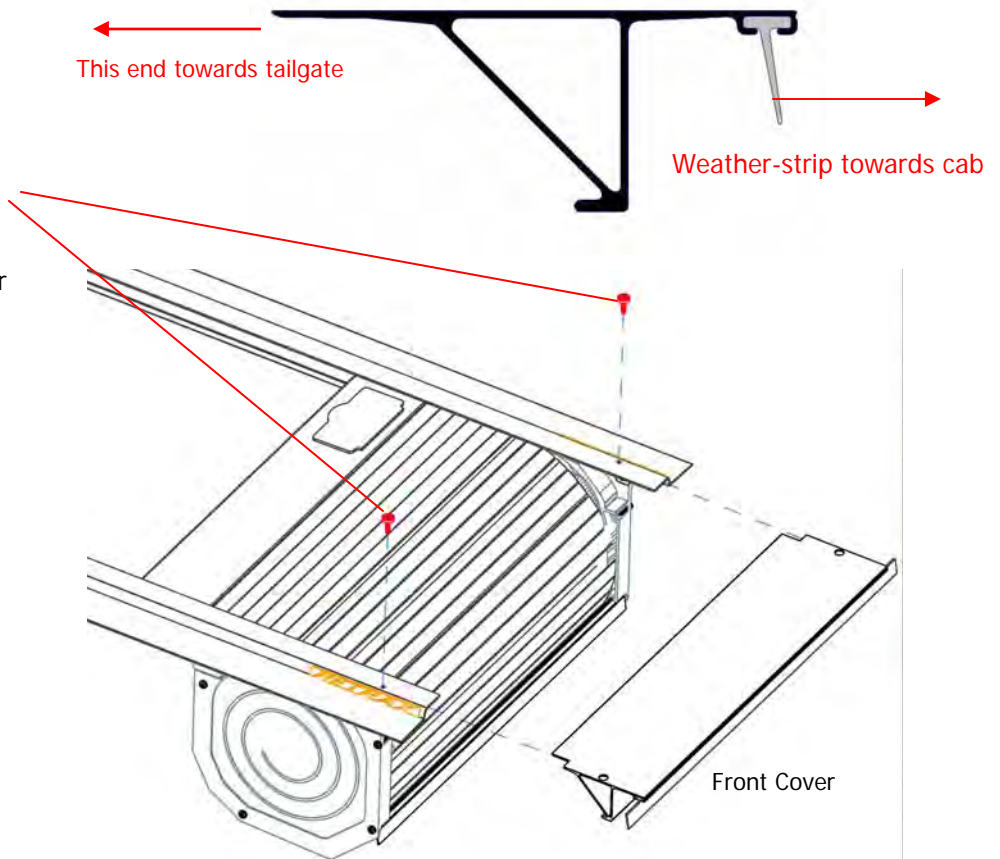
# RETRAXONE™ ASSEMBLY AND INSTALLATION INSTRUCTIONS

**STEP 3 Install the drivers rail.** Lift up the lock cover and open lock by pressing release button. Pull the cover out of the canister 6"-8" (**See PowertraxONE Installation Supplement on how to move electric cover**). **Caution: DO NOT** allow cover to roll back into canister until rail is installed. Repeat Step #2 to install the driver's rail. **Be sure all rail mounting screws are tight.**

## STEP 4 Install the front cover.

The front cover is attached below the rails. Hold the cover level and push both ends in evenly to help slide it into place. When the holes are lined up, start threading the (2) **Front Cover mounting screws**. Tighten the 2 screws securely using a manual #2 Phillips screwdriver or the enclosed 1/8" Allen wrench.

### SIDE VIEW OF FRONT COVER

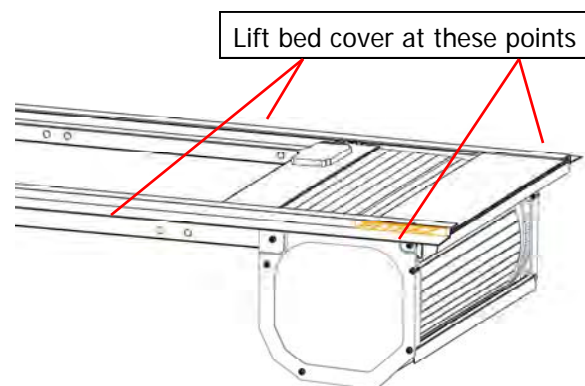


**STEP 5 Lift the assembled cover into the bed.** Roll the cover into the canister and push down firmly on the rounded end of the lock until it latches. Close the tailgate on the pickup. Using two people, lift the bed cover by the front of the rail and two feet to the back. Set the assembly in place at the very front of the bed.

**The rubber weather-strip on the front cover should lie on top of the pickup's front rail - pointed towards the cab.**

(NOTE: If needed, gently push and twist the rails slightly inward to drop into place.)

**A latch is found on a Manual Cover Only. See PowertraxONE Installation Supplement on how to move electric cover.**



**STEP 6 Position the cover.** Move the rails forward or back to achieve an 1/8" gap between the bottom notch of the rail and the inside face of the closed tailgate or tailgate protector. Measure both sides. Use the supplied 1/8" thick measurement tool to achieve the correct 1/8" gap.



**Note:** Plastic bed liners may have to be cut at the front of bed so the bed cover can be moved forward to achieve proper 1/8" clearance at the tailgate.

**Note:** Keep rails from moving once in position 1/8" from the tailgate.



Steps 7 and 8 are for Titan's without the Utili-track system  
Steps 7-U and 8-U (next page) for Titan's with Utili-track system



**STEP 7 Install the front set of clamps.** Start with the two clamps closest to the canister. Proper clamp location is over the rail spacer blocks. The clamps should be installed as high up as possible to engage more teeth on the rail. Using a 9/16" wrench, tighten the clamps. If the clamp wants to rotate while tightening, hold with pliers or vice-grip.



**STEP 8 Install the rear set of clamps.** Attach the rear set of clamps over the rail spacer blocks at the rear of the rail. Push down on the rail as you tighten the clamp bolts for a better seal on top of the pickup box rails.

The rear of the rail may need to be tilted up or down for best fit over the tailgate or tailgate protector.





**\*\*If your truck has the Utili-track option use Step 7-U and 8-U\*\***

**Step 7-U: Drill the front mounting holes in the bed.** There are 3 holes near the canister in each rail. The Titan Crew cab 7' long bed uses the hole nearest to the canister. The King cab 6.5' bed uses the middle hole. The Crew cab 5.5' bed uses the rear hole. Hold the **drill level** and drill 1/4" holes through the **center** of the front mounting holes in the rails and through the pickup bed rails. (The Titan King cab 8' long bed has 1 hole near the canister and one additional hole in the middle of the rail)



Hold drill level

**Step 8a-U: Attach the bed cover to the pickup.** Start at the front. Insert the Allen head bolts (1/4-20x2) through the correct hole in the rail and start threading and tighten the bolt into the rubber well nuts. Hold the rubber nut with the end of your fingers behind the Utili-track rails.



Insert the bolts through rail holes and thread into the **cut end** of the rubber nut.

**Step 8b-U: Attach rear of the rails to the pickup.**

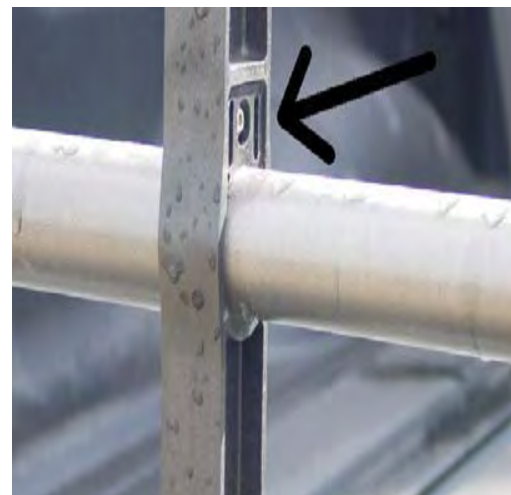
Fasten the clamps over the spacers at the rear of both rails. Hold rails level when tightening clamps. To bolt the rails in place, hold the drill level and drill 1/4" holes through the center of the rear mounting holes in the rails and through the pickup bed rails. Insert the Allen head bolts (1/4-20x1.5") into the predrilled holes on the rails and thread into 1/4-20 Nylock nuts.



**Reminder:** The bolt method allows accessories to slide out the rear.

**Additional Notes for use with Utili-track Options:**

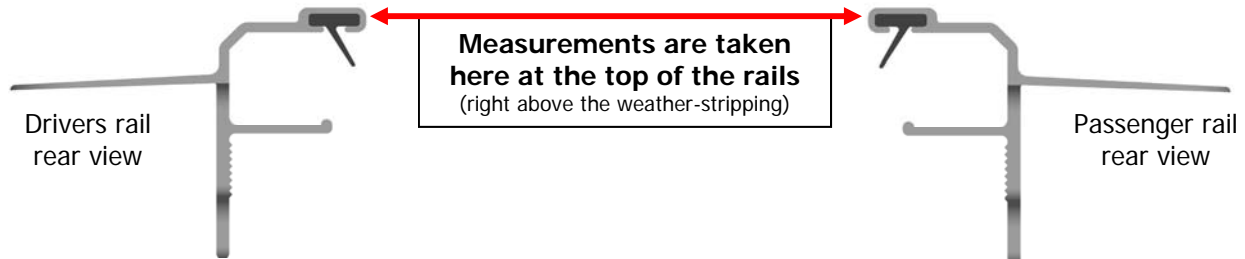
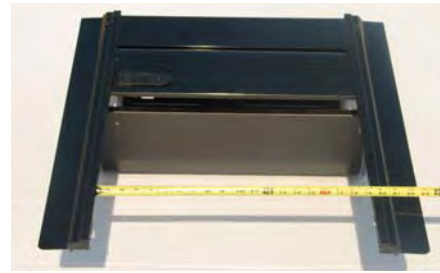
- The lock handle needs to be pushed part way down for clearance when rolling the bed cover over the bed divider option. You may also need to lift up slightly on the cover for additional clearance when passing over the bed divider. If needed the bed divider can be lowered for clearance. You can oblong the 2 holes on both mounting brackets to lower the divider 1/8" to 1/4".
- The knobs for the bed extender may need to be turned slightly for clearance. We do have smaller knobs available from the factory. Call us to order them. (The knobs have either 8mm or 10mm threads-please measure before ordering.)
- The bed extender can be narrowed if it makes contact with the inside edge of the bed cover rails. Completely loosen the screws shown to the right and slide the extender together about 1/4", then retighten.



# RETRAXONE™ ASSEMBLY AND INSTALLATION INSTRUCTIONS

## STEP 9 Measure the distance between the rails.

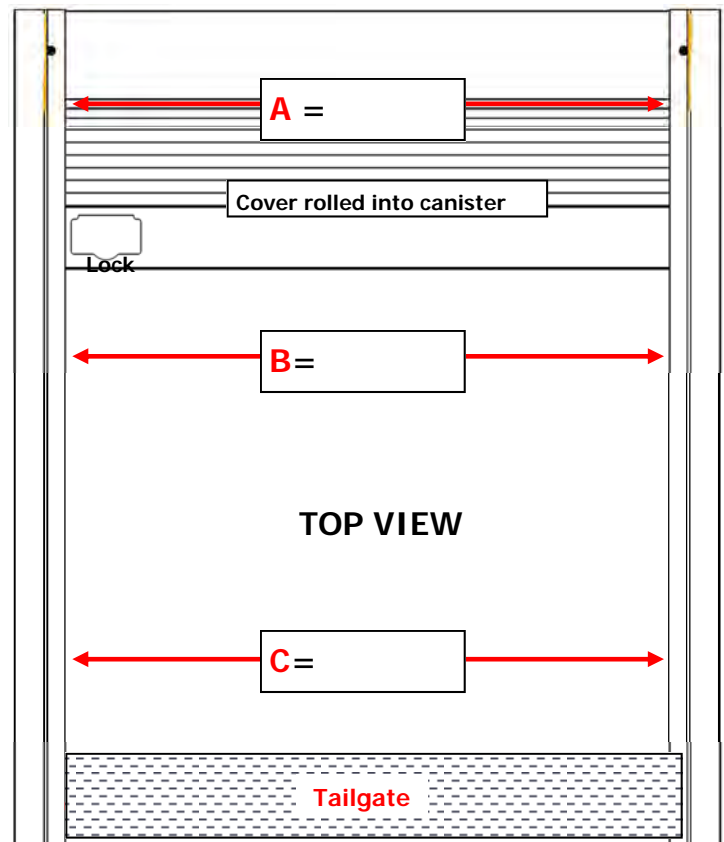
**The rails must be the same distance apart from each other (parallel) from the front to the rear.** The following steps show how to measure and adjust the rails. Measurements are taken at 3 places starting at the front. The photo to the right shows measurement being taken with a tape measure.



**STEP 9 a.** Measure and record the distance between the rails at **A** - next to front cover screws. This is your base measurement.

**9 b.** Measure and record the distance at **B** above the front clamps or above the front Allen bolts. (with clamps or Allen bolts tight)

**9 c.** Measure and record the distance at **C** above the rear clamps or above the rear Allen bolts. (with clamps or Allen bolts tight)  
**If the measurements at B and C are not the same as A then adjustments are needed. See STEP 10.**

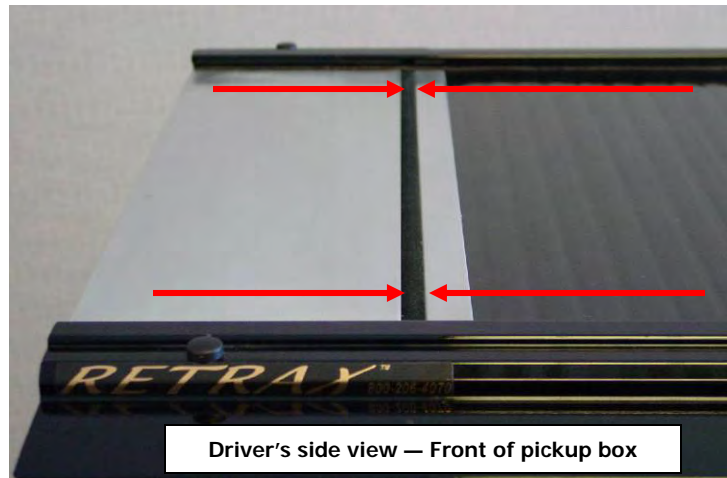


**Step 10: Adjust the distance between the two rails of the rolling cover.** To adjust the distance between the rails, the Allen bolts will have to be loosened or the clamps removed. The distance between the rails is reduced by adding rubber rail adjustment spacers to the rubber blocks behind the bolts or clamps. Slide the rubber spacers between the rubber block and the pickup bed rail caps. Each rubber spacer will decrease the distance by approximately 1/8". Continue adjustment until the rails are parallel at the front and rear mount locations when clamps or bolts are tight.



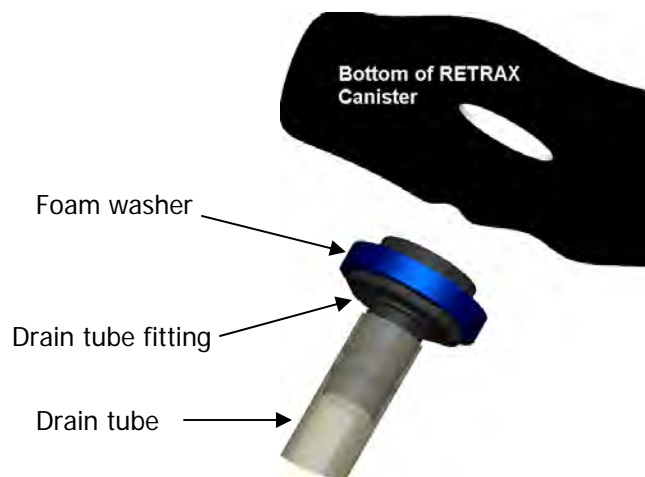
# RETRAX<sup>ONE</sup>™ ASSEMBLY AND INSTALLATION INSTRUCTIONS

**STEP 11** Check for proper fit between the front cover and the rolling cover. Using the lock handle, pull the cover closed over the tailgate and latch. The amount of weather-strip showing at the front of the rolling cover should be close to equal on both the passenger and drivers sides. (Photo shows unpainted parts for clarity) If there is less weather-strip exposed on one side, adjust that rail by removing the clamps and moving that rail towards the cab. Replace the clamps and close the cover. Check again for equal spacing at the front and readjust if needed.



## STEP 12 (a)

Remove plastic film from the canister. Place the foam washers over the drain tube fittings. Push the assembled tubes into the 2 holes on the bottom of the canister. The fitting should lock into place; test by pulling down on the fitting, it should not pull out of canister.



**STEP 12 (b)** Finish installing the drain tubes. On some models there are factory drain holes in both front corners, on others there are plastic plugs that can be drilled out for the tubes. You can enlarge existing holes or drill new holes in the front wall or floor if needed. Be careful of what is behind when you drill. If using a plastic bed liner, then holes need to be drilled through the liner only. Cut the tubes to length to fit in desired locations.

**STEP 13** Open and close the cover to insure it is rolling without rubbing or binding. Now remove the plastic films from the cover. **(Remove film before exposing to the sun)**

**FINAL NOTES:** Be sure that all clamps or bolts are tight. The top surface of the rails should be level. Loosen the clamp, adjust rail and retighten clamp if needed. **On some models, a better fit over the tailgate or tailgate protector maybe obtained if the rear of the rail is tilted up or down slightly.** You should be able to open and close easily. The rolling resistance will decrease over time as the weather-stripping and bearings break-in.

The lock will push down easily when the cover is completely closed at the tailgate. You also will be able to latch and lock the cover anywhere else along the rail by **pushing down firmly on the rounded end of the lock handle.** In any part way open position; two thumbs may be needed to latch the cover in place. The effort needed to latch the cover will decrease as the lock mechanism takes a set. The lock can be adjusted if needed. At the bottom of the lock is an adjustable steel tip that contacts the rail. To increase or decrease the pressure, loosen the jam nut with a 7/16" wrench, adjust the steel tip in or out with an 1/8" Allen (hex) head wrench, then hold steel tip while re-tightening the jam nut.

**DO NOT lubricate the RETRAX bed cover!**

See maintenance on back page

# RETRAX<sup>™</sup> Maintenance and Use Instructions

## USE

The Retrax cover has superior quality, rail weather-strip seals. These seals help minimize water intrusion into the pickup bed. The initial break-in period for the rail weather-strip is about 48 hours in the fully closed position. Your cover may be slightly harder to open and close during the break-in period.

### Opening and Using the Cover

Using your **RETRAX<sup>™</sup>** cover is as simple as opening the lock cover and pressing the button at the center of the latch to pop open the handle (1). If properly installed, the cover should be able to roll open and closed easily with one hand (2). During the break-in period more effort may be needed, but you still should be able to roll the cover open and closed with one hand.



### Closing and Locking the Cover

To latch your **RETRAX<sup>™</sup>** cover anywhere along the rail, push down firmly on the end of the lock handle using both thumbs (3). It takes this amount of force because it is a friction lock in any open position. The **RETRAX<sup>™</sup>** cover is easier to latch in the fully closed position due to a recess in the rail.

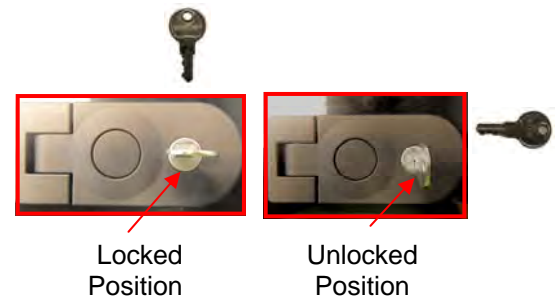


The teeth of the **RETRAX<sup>™</sup>** keys always face out

### Securing Loose Cargo

**RETRAX<sup>™</sup>** covers make transporting loose and large pieces of cargo safe and secure; a unique feature that most tonneau covers cannot claim. To help secure any item too big to fit under the cover, latch the lock handle shut against the item to help keep it in place (4).

CAUTION! All large and heavy cargo must be secured by straps etc. Applied Products not responsible for shifting cargo.



## MAINTENANCE & CARE

### Cleaning and Caring for Your Cover

Treat your **RETRAX<sup>™</sup>** cover like you would treat the hood of your truck. You can wash and wax your cover like you would your pickup, but we don't recommend using any plastic cleaners or protectants (Carnauba wax is fine on your **RETRAX<sup>™</sup>** cover). To restore the luster to aluminum parts periodically use a polishing compound followed by a non-abrasive carnauba wax. The weatherstripping on your cover may absorb soapy residue from a car wash, so we recommend wiping down the inside of your rails from time to time (5).

### Important:

**NEVER** spray any lubricant or cleaner in the rails. This will void your warranty. The ball bearings are sealed and will not need any sort of lubricant or spray. If the rails do feel a little "sticky", you may rub some paraffin (candle) wax along them until they wear in (6).



**Applied Products, Inc.**

917 S. 46<sup>th</sup> Street

Grand Forks, ND 58201

www.retrax.com • retrax@retrax.com • 800-206-4070

**RetraxONE™ and PowertraxONE Warranty Information**

- Never allow any person or animal to be transported in the pickup bed. Under no circumstances should anyone stand, sit or lay on the cover.
- The **Retrax** bed cover is **not waterproof**. Applied Products, Inc. will not be held liable for damage sustained to any cargo being transported in a pickup bed equipped with a **Retrax** bed cover.
- The security features on the **Retrax** bed cover are intended to act only as a deterrent to theft or damage to your cargo. No guarantee is made to the ability of the **Retrax** to protect valuables.

**RetraxONE™ and PowertraxONE Limited Lifetime Warranty**

Applied Products, Inc. makes every effort to assure that its products meet high quality and durability standards and warrants to the original retail consumer/purchaser of our products that each product be free from defects in materials and workmanship as follows:

1 year limited warranty for a RetraxONE, and a 3 year warranty to a PowertraxONE or limited life time warranty at a pro-rated price on all Applied Products, Inc. products unless specified otherwise.

This warranty is to the original owner and is non-transferable

Warranty does not apply to defects due directly or indirectly to misuse, abuse, negligence or accidents, acts of god, neglect or failure to operate products in accordance with instructions provided in the owner's information supplied with the product, repairs or alterations outside our facilities or to a lack of maintenance. **APPLIED PRODUCTS, INC. LIMITS ALL IMPLIED WARRANTIES TO THE PERIOD SPECIFIED ABOVE FROM THE DATE THE PRODUCT WAS PURCHASED AT RETAIL. EXCEPT AS STATED HEREIN, ANY IMPLIED WARRANTIES OR MERCHANTABILITY AND FITNESS ARE EXCLUDED. SOME STATES DO NOT ALLOW LIMITATIONS ON HOW LONG THE IMPLIED WARRANTY LASTS, SO THE ABOVE LIMITATION MAY NOT APPLY TO YOU. APPLIED PRODUCTS, INC. SHALL IN NO EVENT BE LIABLE FOR DEATH, INJURIES TO PERSONS OR PROPERTY OR FOR INCIDENTAL, CONTINGENT, INDIRECT, SPECIAL OR CONSEQUENTIAL LOSS, DAMAGE, OR EXPENSE THAT MAY RESULT FROM ANY DEFECT, FAILURE, MALFUNCTION, OR USE OF OUR PRODUCTS. SOME STATES DO NOT ALLOW THE EXCLUSION OR LIMITATION OF INCIDENTAL OR CONSEQUENTIAL DAMAGES, SO THE ABOVE LIMITATION MAY NOT APPLY TO YOU.** To take advantage of this warranty, the product or part must be returned for examination, postage prepaid, to Applied Products, Inc. Proof of purchase date and an explanation of the complaint must accompany the merchandise. If our inspection discloses a defect, Applied Products, Inc. will either repair or replace the product. Repair or replacement will be scheduled and serviced according to the normal workflow at Applied Products, Inc. and depending on the availability of replacement parts. Applied Products, Inc. will return repaired product or replacement at Applied Products, Inc. expense, but if it is determined there is no defect or that the defect resulted from causes not within the scope of Applied Products, Inc. warranty, then the user may bear the cost of storing and returning the product. This limited warranty gives you specific legal rights and you may also have other rights, which vary from state to state.

**Important Owner Information**

Please read the instructions and owner information carefully before attempting to assemble, install, operate or maintain your **Retrax** bed cover. Here are some helpful hints for keeping your cover looking and working like new.

- Automotive (non-abrasive) wax can be applied to the cover and rails for extra protection against the elements and scratches.
- Secure cargo in your box to prevent shifting of the load and possible damage to the front canister.
- The **Retrax** bed cover should slide open and closed easily. Do not force the cover open or closed. Please call the **RETRAX™ Consumer Hotline (1-800-206-4070)** before attempting any maintenance or repairs.
- Care should be taken when setting any items on the cover. If the cover is dusty or an item is dragged across the cover, scratching or hazing may occur. Treat your **Retrax** bed cover like the hood of your pickup. Do not wipe dust off the cover; it should be washed off.
- With proper care, the polycarbonate cover on your **Retrax** will last for many years. It should be cleaned with mild soap and water. Do not use any strong chemicals or cleaners of any kind. Do not allow gasoline to come in contact with the cover.
- The ball-bearing rollers installed on your **Retrax** are sealed-for-life and no maintenance or lubrication is required.

**(Do Not use a lubricant)**

The channel of the rail can be wiped clean, if needed, to remove dust or dirt.

- Every effort has been made to make the **Retrax** weather-tight, however, the **Retrax** is not waterproof. Use extra care to prevent damage to items during severe weather conditions or while entering a car wash. Water may collect on the cover, remove water before opening.
- Do not force your **Retrax** open if ice forms on your bed cover after an ice storm or car wash. You should use your hand to tap around the perimeter of the cover, which should free up the weather-stripping that seals the bed cover along the edges.
- Lock de-icer can be used to free up the key lock. Do not allow de-icer to make contact with the bed cover. Dry graphite can be applied to the lock assembly to help prevent freezing.



***Applied Products, Inc.***

917 S. 46th St.  
Grand Forks, ND 58201  
Tel: 701-746-5596  
Toll Free: 800-206-4070  
Fax: 701-746-5598  
Web: [www.retrax.com](http://www.retrax.com)



**Made in the USA by  
An Employee Owned Company**